



Yuasa Technical Data Sheet

Yuasa YB7-A - YuMicron Battery

Performance

| | |
|--------------------|-------|
| Voltage | 12V |
| Capacity (10-hour) | 8Ah |
| Capacity (20-hour) | 8.4Ah |
| CCA @ -18°C | 105A |

Dimensions (±2mm)

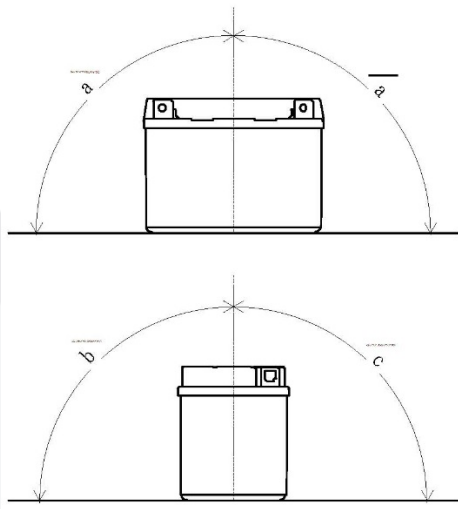
| | |
|--------|-------|
| Length | 136mm |
| Width | 75mm |
| Height | 133mm |

Weights & Measures

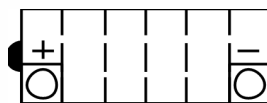
| | |
|-----------------------|------|
| Mean Weight with Acid | 3kg |
| Acid Volume | 0.6l |

Mounting Angle

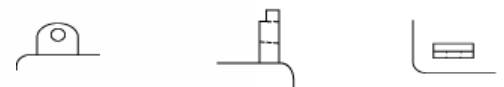
| | |
|---------|---------------|
| Angle A | Vertical only |
| Angle B | Vertical only |
| Angle C | Vertical only |



Cell Assembly Layout



Terminal Type - 6



Data Sheet generated on 16/12/2016 - E&OE