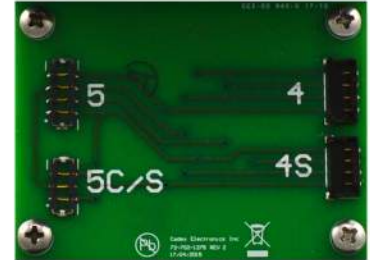




info@cadex.com
www.cadex.com

iPhone SnapLock™ Adapter

07-111-5870

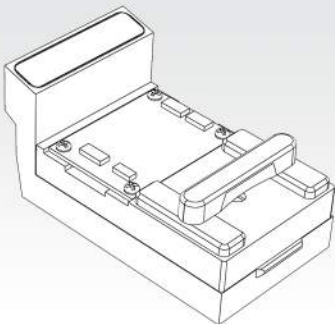


Supports Apple iPhone 4, 4s, 5, 5c, 5s

Cadex Electronics Inc. has launched the **iPhone SnapLock Adapter** (07-111-5870). This adapter allows testing iPhone 4 and 5 model batteries with the Cadex C7xxx Series and the C5100 analyzers.

For more info please contact your local CADEX distributor or visit www.cadex.com

Specifications



	Apple Part Number	Voltage	Capacity
iPhone 4	616-0513, 616-0520, 616-0521	3.7V	1420 mAh
iPhone 4s	616-0579, 616-0580, 616-0581	3.7V	1430 mAh
iPhone 5	616-0611, 616-0613	3.8V	1440 mAh
iPhone 5c	616-0667, 661-8300	3.8V	1510 mAh
iPhone 5s	616-0718, 616-0719, 616-0720, 616-0721, 616-0728	3.8V	1558 mAh

North America

Cadex Electronics Inc.
22000 Fraserwood Way
Richmond, British Columbia
Canada V6W 1J6
T: +1 604 231 7777
+1 800 565 5228
F: +1 604 231 7755

Europe

Cadex Electronics Inc.
Farmstrasse 91-97
64546 Moerfelden-Walldorf
Germany
T: +49 (0) 6105 975 11-0
F: +49 (0) 6105 975 11-29



info@cadex.com
www.cadex.com