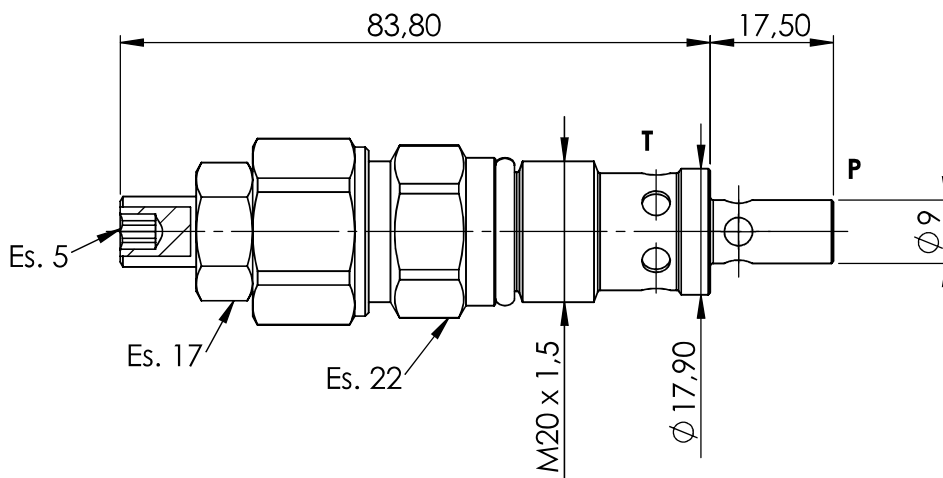
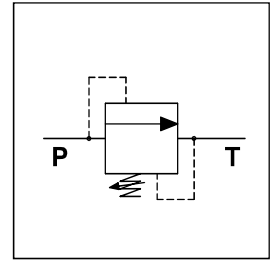


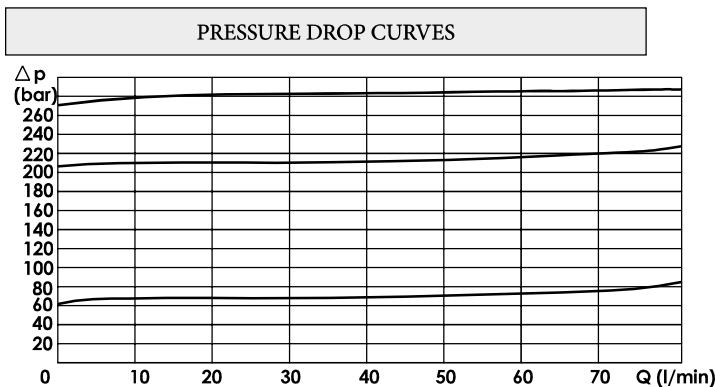
WMD 40

TECHNICAL DATA

- **Flow:** 40 l/min
- **Max setting pressure:** 420 bar
- **Materials:** Cartridge in Steel Zinc Plated
- **Version:** Poppet Type - Direct Acting
- **Cavity:** FW2002100
- **Installation torque:** 40-45 Nm
- **Weight:** 0,150 kg



REGULATOR	
Code	Type
(S) Screw	
(V) Handknob	



SPRINGS			
Code	Adjustable pressure range bar	Pressure increase bar/turn	Standard setting bar
05	5-55	15	5
10	25-110	25	25
20	50-215	50	50
35	100-350	90	100
42	100-420	105	100

ORDERING CODE:

WMD

40



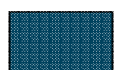
Type of Regulator:

- S = Screw
- V = Handknob



Springs:

- 05 - 10
- 20 - 35
- 42



Adjustment if Required:

- Omit if not required
- Value